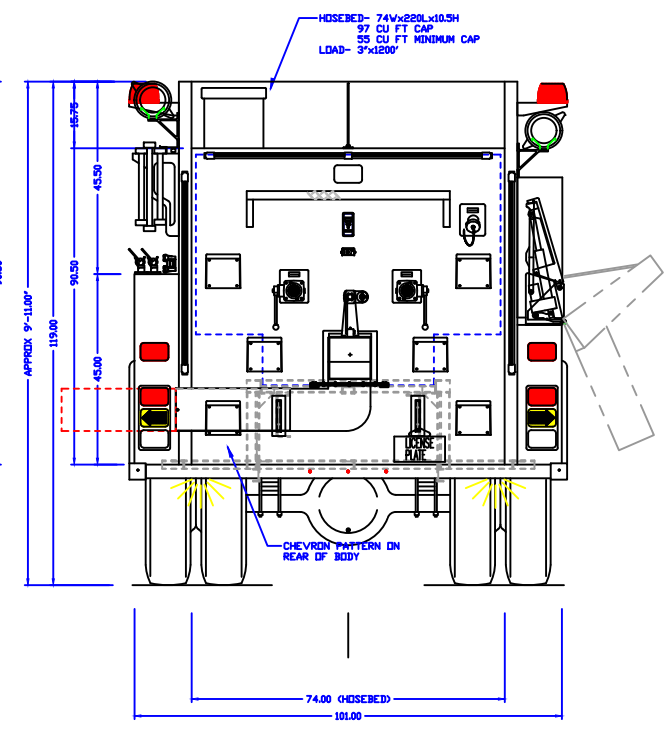
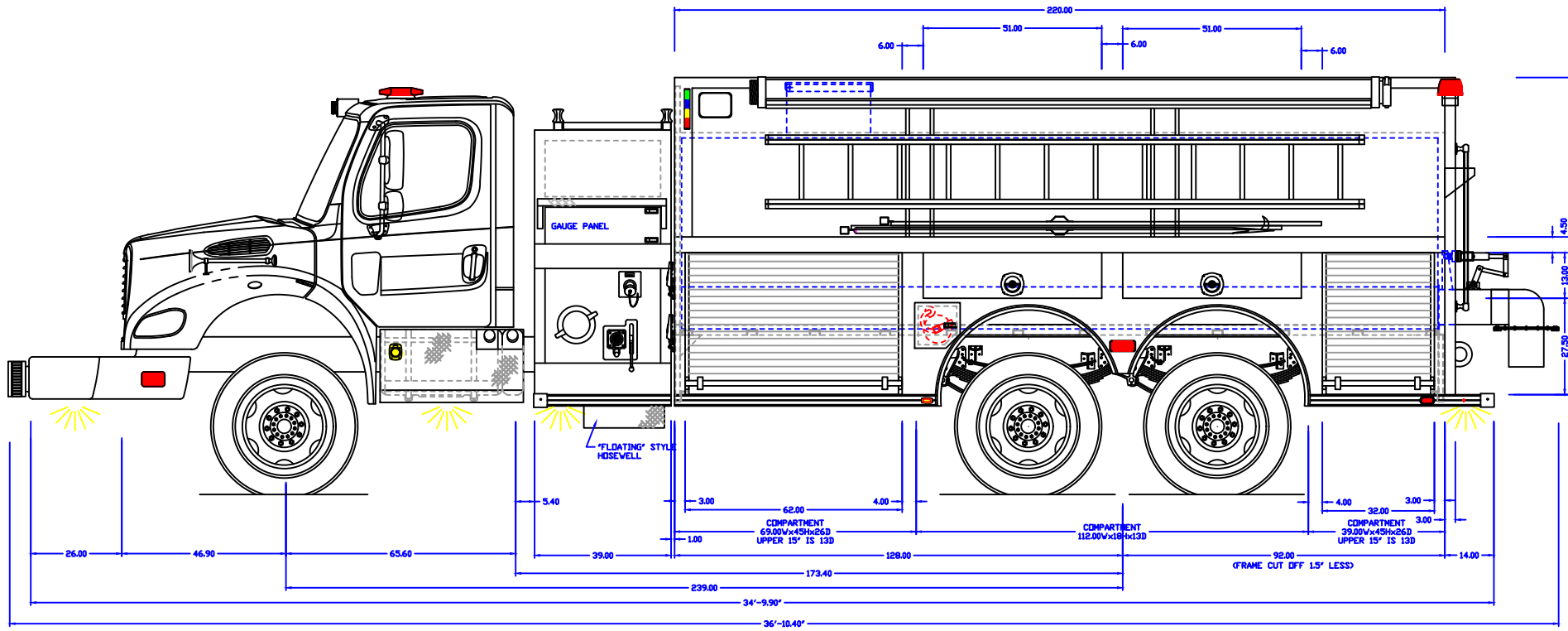


- NOTES:
1. OVERALL HEIGHT IS IN LOADED CONDITION. UNLOADED HEIGHTS MAY BE 4" ABOVE HEIGHTS SHOWN.
 2. DO NOT SCALE DRAWING.
 3. ALL DIMENSIONS ARE APPROXIMATE AND SUBJECT TO ENGINEERING CHANGES.
 4. DRAWING MAY OR MAY NOT SHOW ALL ITEMS AS DESCRIBED IN THE WRITTEN DETAIL SPECIFICATIONS.
 5. INCLUSION OF AN ITEM ON THE DRAWING DOES NOT CONSTITUTE INCLUSION OF THAT ITEM WITH THE FINAL DELIVERED UNIT.
 6. THE EFFECTIVE DOOR OPENINGS WILL BE APPROX. 2" LESS THAN THE NOTED COMPARTMENT OPENING FOR ROLL UP DOORS AND UP TO APPROX. 4" LESS FOR HINGED DOORS



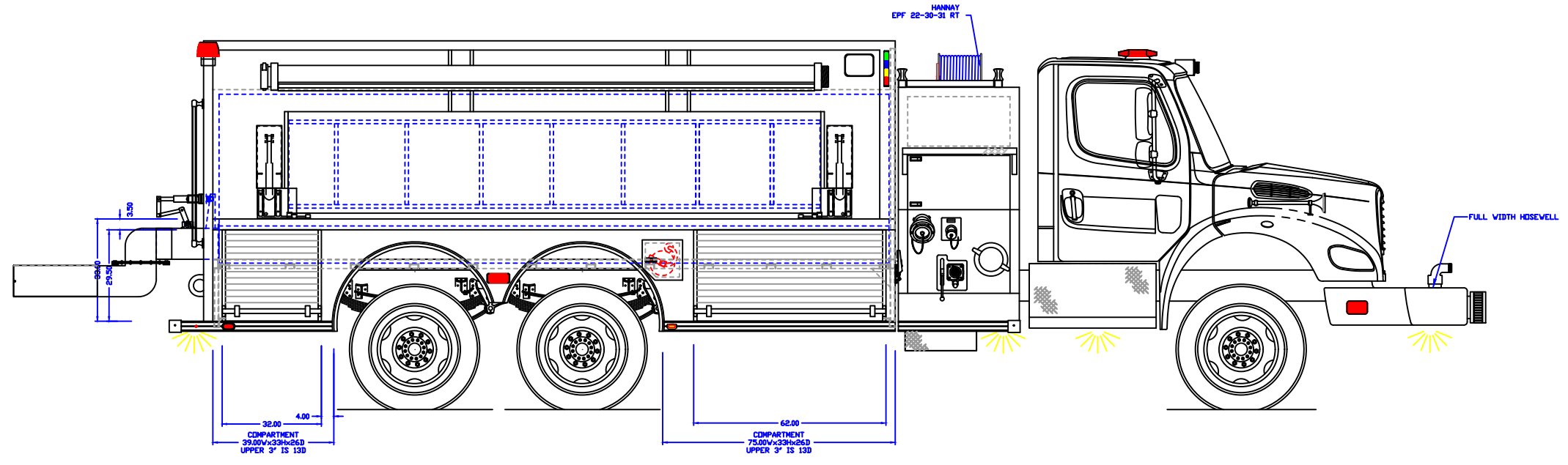
INITIALS: EH
 JOB NUMBER: 22354
 DATE: 2/15/2023

MAIN FILE: -
 DEPT: -
 DEALER: -

PRODUCTION APPROVED

APPROVED BY: _____

| | |
|----------------|------------------|
| CHASSIS: | FREIGHTLINER 2DR |
| PUMP: | HALE 750 GPM |
| TANK: | POLY/3000 |
| PANEL MATL: | STAINLESS STEEL |
| COMP INTERIOR: | SPATTER PAINTED |



| | |
|--------------|----------------|
| REVISED: BVZ | DATE: 1/26/23 |
| REVISED: BVZ | DATE: 12/6/22 |
| REVISED: BVZ | DATE: 11/10/22 |
| DRAWN: BVZ | DATE: 10/17/22 |

| | | |
|---|----------------|------|
| PROPRIETARY AND CONFIDENTIAL THE INFORMATION CONTAINED IN THIS DRAWING IS THE SOLE PROPERTY OF ROSENBAUER. ANY REPRODUCTION IN PART OR AS A WHOLE WITHOUT THE WRITTEN PERMISSION OF ROSENBAUER IS PROHIBITED. | MAXIMUM HEIGHT | NONE |
| | MAXIMUM LENGTH | NONE |
| | BODY WIDTH | 101" |

BAKER CO., FL



ROSENBAUER FX 1/8"
 DRAWING NUMBER: BAKER CO. 2, FL
 REV: -